

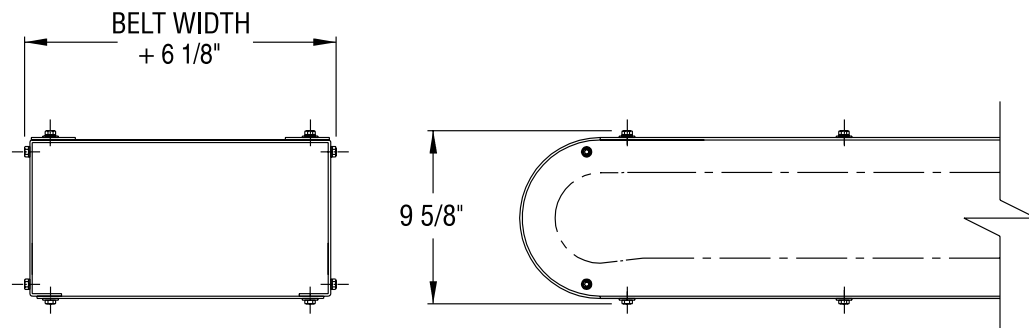
2 1/2" Pitch Hinged Steel Belt Conveyor

Model 2500W

SPECIFICATIONS

Belt:	2 1/2" Pitch Sure-Path Steel Belting – Includes welded sidewings and flanged rollers. Custom belting & conveyor designs also available.
Belt Widths:	6", 12", 18", 24", 30", 36" – other widths available upon request
Frame:	9 5/8" Height, 10 gauge steel - lower frame heights available in low profile and neck down designs
Belt Speeds:	5, 10, 20, 30, 40 FPM (Feet Per Minute) – other speeds available upon request
Drive HP:	1/4 through 2 H.P.
Drive Styles:	Top, bottom, side, and shaft mounted drive packages
Curves:	20°, 25°, 30°, 35°, 40°, 45°, or 60°
Optional Features:	Wiper Cleats Inspection Panels Infeed and Transition Guides Side Skirts Hoppers Discharge Chutes Top Covers Leg Supports Casters Electrical Controls Cleats Heat Bars Impact Rails Coolant Tanks Liquid Tight Construction Oilers Belt Brushes Drop Chutes

Typical Cross Section



STANDARD FRAME (2500W)

*This drawing is for dimensional reference only.
It may not accurately depict the final conveyor design.*

