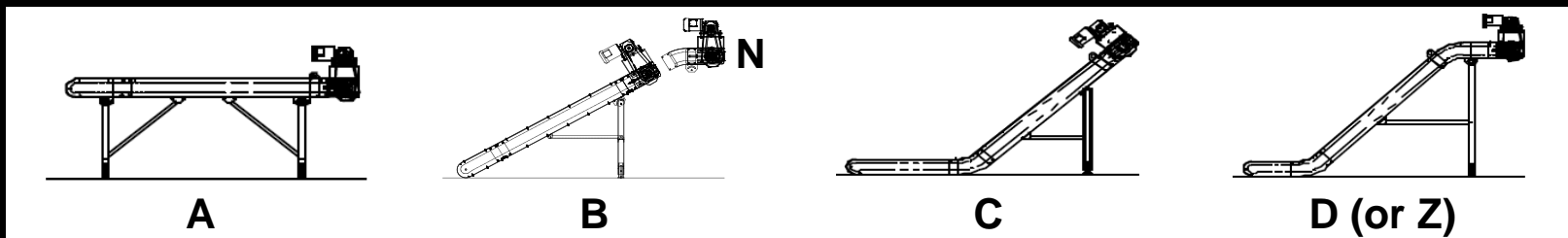


2 1/2 P. Hinged Steel Belt Conveyor Worksheet

Customer Comp. : _____
 Customer Contact : _____
 Customer Phone# : _____

Quote No. : _____
 Salesperson : _____
 Date Required : _____

STYLES:



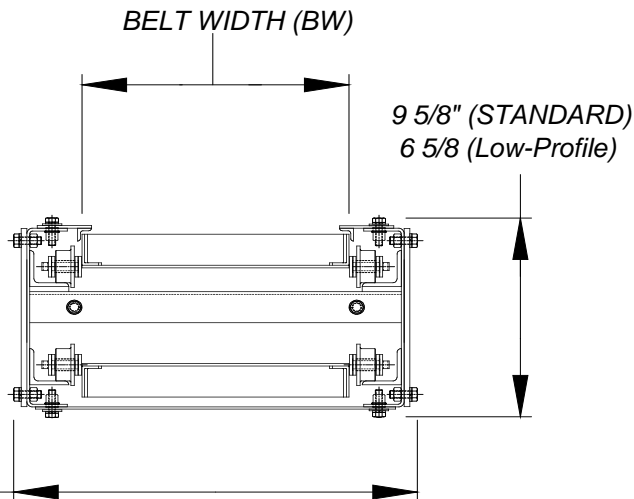
FRAME/BELT SPECIFICATIONS:

Conveyor Style: A B C D (or Z) N

Conveyor Series: Welded Wing (Sure-Path)
 Welded Wing (Low-Profile)
 S-0 Slide-On Wing (No Outer Bars)
 S-1 Slide-On Wing (With Outer Bars)

Belt Width: 6" (Standard) 12" (Standard)
 18" (Standard) 24" (Standard)
 30" (Standard) 36" (Standard)
 Special Width: _____ "

BW + 5 3/8" (Welded Wing Sure-Path)
BW + 4 3/4" (Welded Wing Low-Profile)
BW + 4 15/16" (S-0 & S-1)



Infeed Height: _____
 Discharge Height: _____
 Lower Hor. Length: _____
 Incline Angle: _____
 Incline Length: _____
 Upper Hor. Length: _____

Belting Pan Style: Plain
 Pimpled
 Pimpled/Perforated
 Cleat Height: _____
 Cleat Centers: _____
 Overall Floor Length: _____

DRIVE/SPEED SPECIFICATIONS:

Drive Style: Top Mount Side Mount Shaft Mount Other: _____ Drive Side: Right
 Left
 Horsepower(HP): 1/4 HP 1/2 HP 3/4 HP Other: _____ HP
 Belt Speed: 10 Feet/Min. 20 Feet/Min. 30 Feet/Min. Other: _____ Feet/Min.
 Voltage (V): 90V (DC) 180V (DC) 115V (Single Phase) 230V (Single Phase)
 208V (3 Phase) 230V (3 Phase) 460V (3 Phase) 575V (3 Phase)

CONTROL OPTIONS:

Input Voltage: 115V (1PH) 230V (1PH) 230V (3PH) 460V (3PH) Other: _____
 Styles: Start/Stop Variable Speed E-Stop Pull Cord Stop Washdown Other: _____

ADDITIONAL OPTIONS:

Supports: _____
 Casters Set: _____
 Ship Control Loose: _____
 Prem. Efficient Motor: _____
 Special Paint Color: _____
 Oiler: _____
 Belt Covers/Shrouds: _____
 Skirts: _____
 Top Covers: _____
 Discharge Chute: _____
 Heat Bars/Top Plates: _____
 Infeed Guide/Hopper: _____
 Impact Pad/Rail System: _____
 Liquid Tight Frame: _____

Special Notes: _____

