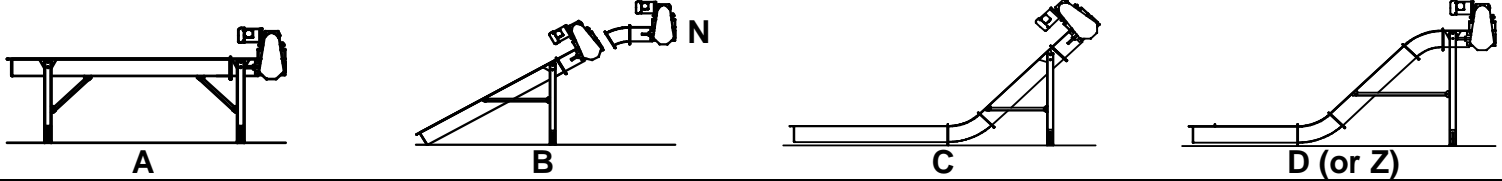


Top Flight Drag Conveyor Worksheet

Customer Comp. : _____
 Customer Contact : _____
 Customer Phone# : _____

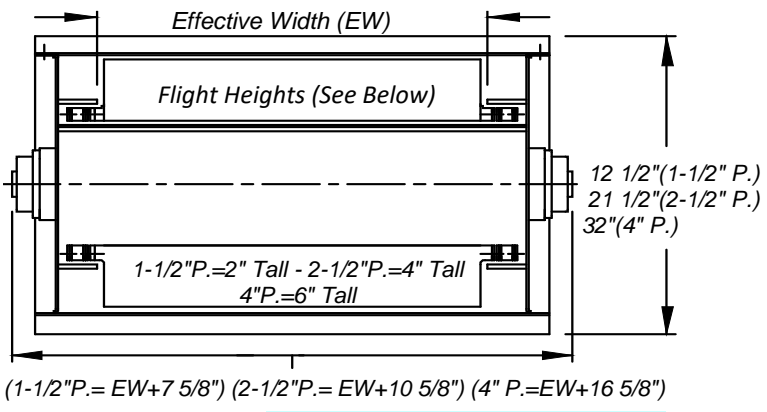
Quote No. : _____
 Salesperson : _____
 Date Required : _____

STYLES:



FRAME/BELT SPECIFICATIONS:

Conveyor Style: A B C D (or Z) N
 Conveyor Series: 1500 - STANDARD (1-1/2" Pitch Chain)
 2500 (2-1/2" Pitch Chain) 4000 (4" Pitch Chain)
 Effective Width: 6" (Standard) 12" (Standard)
 18" (Standard) 24" (Standard) 30" (Standard)
 36" (Standard) 48" (Standard) 52" (Standard)
 Special Width: _____"
 Lower Hor. Length: _____
 Incline Angle: _____
 Incline Length: _____
 Upper Hor. Length: _____
 Overall Length: _____



Infeed Height: _____
 Discharge Height: _____
 Flight Height: _____
 Flight Centers: _____
 Flight Material: _____

VITAL DATA:

Product to Convey: _____ Max. Surge Load: _____ Product Temp.: _____ deg.
 Product Size: _____ Product Density: _____ lbs./cu.ft. Liquids Present: _____
 Min. = _____ x _____ Product Free Fall: _____ inches Type of Liquids: _____
 Max. = _____ x _____ Heavy Fall Impact: _____ Conveyor Submerged: _____
 Production Rate: _____ lbs./hr. Prod. Load Method: _____ Environment: _____
 Hours/Day Conveyor is Running: _____ Pit Dimensions: _____ Deep X _____ Wide X _____ Long

DRIVE/SPEED SPECIFICATIONS:

Drive Style: Top Mount Side Mount Shaft Mount Other: _____ Drive Side: Right Left
 Horsepower(HP): 1/4 HP 1/2 HP 3/4 HP 1 HP 1 1/2 HP 2 HP 3 HP 5 HP 7 HP 10 HP
 Belt Speed: 10 FPM 20 FPM 30 FPM 50 FPM 80 FPM 100 FPM Other: _____ FPM
 Voltage (V): 90V (DC) 180V (DC) 115V (Single Phase) 230V (Single Phase)
 208V (3 Phase) 230V (3 Phase) 460V (3 Phase) 575V (3 Phase)

CONTROL OPTIONS:

Input Voltage: 115V (1PH) 230V (1PH) 230V (3PH) 460V (3PH) Other: _____
 Styles: Start/Stop Variable Speed E-Stop Pull Cord Stop Washdown Other: _____

ADDITIONAL OPTIONS:

Supports: _____ Special Feed Inlets: _____
 Casters Set: _____ Self-Metering Hopper: _____
 Ship Control Loose: _____ Discharge Chute: _____
 Special Motor: _____ Infeed Guides: _____
 Special Paint Color: _____ Liquid Tight Frame: _____
 Special Notes: _____

